

Name: \_\_\_\_\_ Homeroom: \_\_\_\_\_

# 3D Percussion Instrument Design

1) Go to your Tinkercad account and create a new design. You need to click on the NAME of your design to change the name. You MUST change your name to this format:

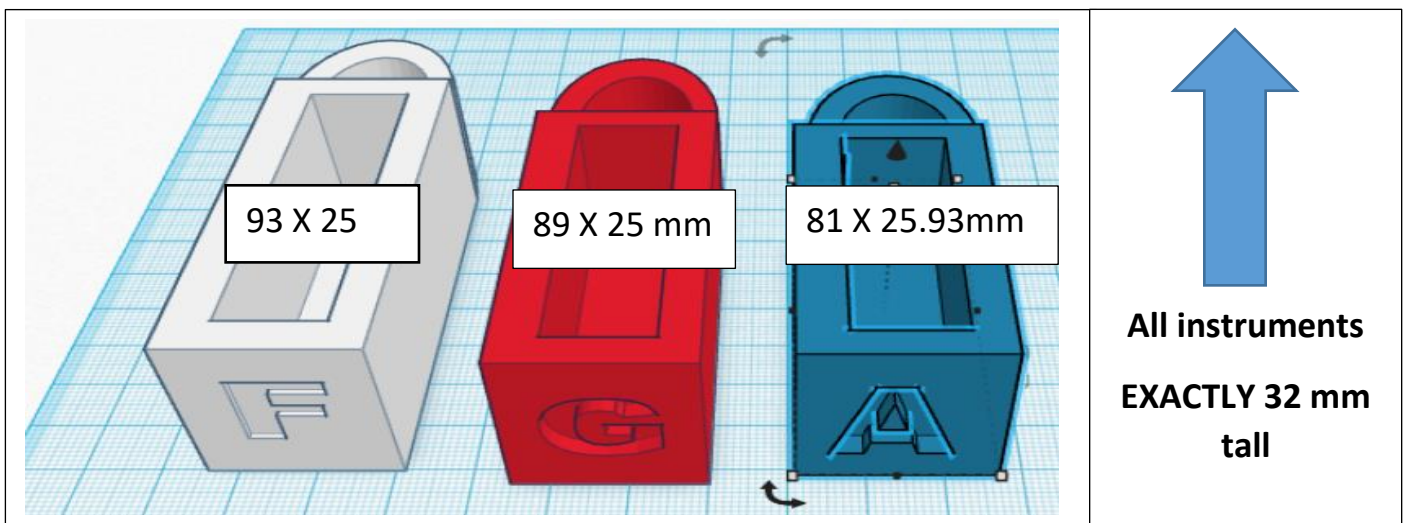
Your first name (space) Music (space) Homeroom teacher

EXAMPLE: Linda Music Patterson

## The Challenge:

2) Recreate the following instruments on your work plane.

Your instruments must keep the same measurements:



3) After you recreate the instruments to your work plane, check your measurements to make sure they match the picture for length and width.

Now it is time to personalize!

4) Write your name (your real name, not a nickname) on one of the long sides of each of the instruments. To change the work plane to be able to write on the side of your instrument-

Click on where you want write, press "W" then click on the side you want to write on again.

Your name must be an impression (like the note on the end) 2 mm deep

5) Create a vibration side on each of your instruments. (See examples)

You cannot add more than 3 mm to the total measurement. (Brainstorm 3 ideas)

--	--	--

6) \*Optional. Add one secret feature, not more than 3mm high. (Brainstorm 3 ideas)

--	--	--

7) Fill out the measurements for each instrument to double check:

**\*You can add no more than 3mm to each measurement**

**F: \_\_\_\_\_ X \_\_\_\_\_ (Should be 93 X 25)**

**G: \_\_\_\_\_ X \_\_\_\_\_ (Should be 89 X 25)**

**A: \_\_\_\_\_ X \_\_\_\_\_ (Should be 81 X 25.93)**

8) Share with Mrs. Pascual for printing!